

SPRINT 2[®] DICER

PRECISION CUTS WITH COST EFFECTIVE OPTIONS

The Sprint 2[®] Dicer accepts a maximum infeed product of 6.5" (165 mm) in any dimension. May come equipped with VFD or with soft start in a 3 HP (1.5 kW) motor, or the cost-effective option of a 1.5 HP (1.1 kW) soft start. Features continuous operation for uninterrupted production.

Cutting zones are completely separate from mechanical zones. Rounded tube frame contributes to sanitary design and ease cleaning. Provides slicing-only capability by removing the circular and crosscut knife spindles. Provides 2- or 3-dimensional cutting by adjusting the slice thickness, crosscut, and circular knife spindles for a full range of dices, crumbles/granulations, or strips. A variety of shreds are also available. The crosscut knife spindle in conjunction with the other cutting components create a compact cutting zone establishing precision cuts as product moves throughout the process.



TYPES OF CUTS

FLAT OR CRINKLE SLICES

1/16 – 1" (1.6 – 25.4 mm)

DICES/CRUMBLES/STRIPS

2- and 3-dimensional cutting involves adjusting the slice thickness, and adjustment or removal of the circular or crosscut spindles.

Circular Knife Cuts:

1/8 – 3" (3.2 – 76.2 mm)

Crosscut Knife Cuts:

3/32 – 1" (2.4 – 25.4 mm)

Crosscut Knife Crinkle Cuts:

(.076" (1.9 mm) depth):

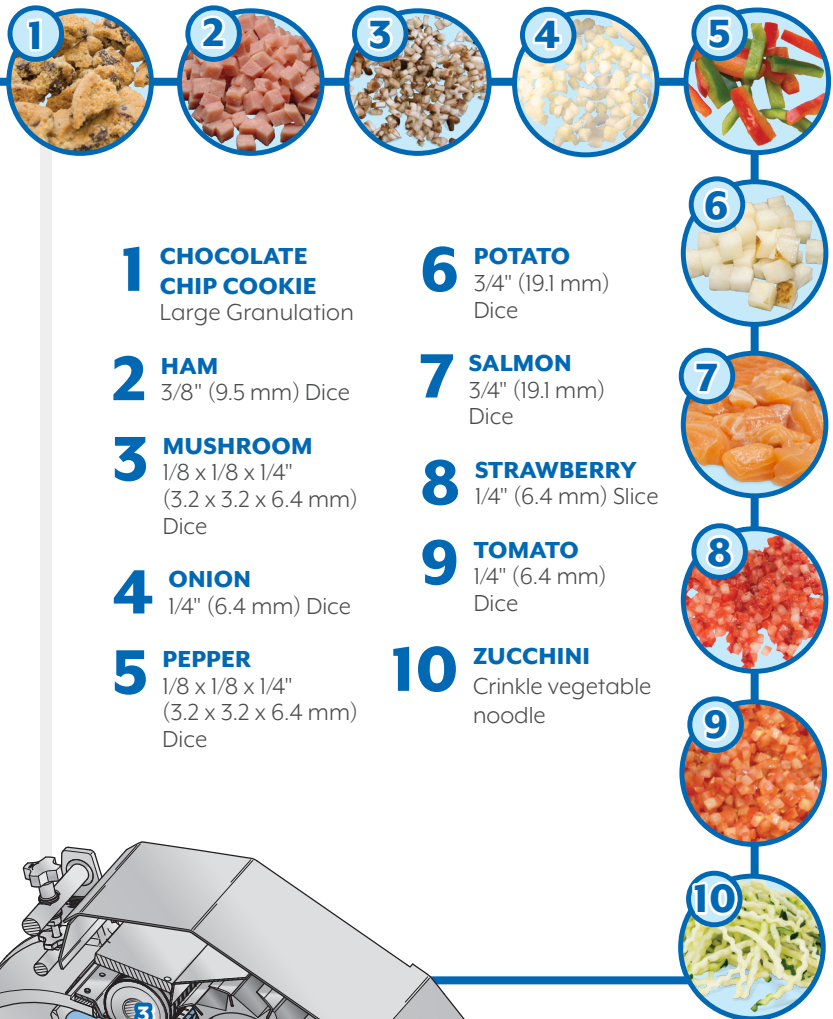
9/32 – 9/16" (7.1 – 14.3 mm)

Crosscut Knife Deep Crinkle Cuts: (.125" – .145"

(3.2 – 3.7 mm) depth): 3/8 – 1/2" (9.5 – 12.7 mm)

SHREDS

Fine, medium, and coarse shreds are produced on hot or chilled cooked meat products by using shredding disc spindle in place of the crosscut knife spindle.



1 CHOCOLATE CHIP COOKIE
Large Granulation

2 HAM
3/8" (9.5 mm) Dice

3 MUSHROOM
1/8 x 1/8 x 1/4"
(3.2 x 3.2 x 6.4 mm)
Dice

4 ONION
1/4" (6.4 mm) Dice

5 PEPPER
1/8 x 1/8 x 1/4"
(3.2 x 3.2 x 6.4 mm)
Dice

6 POTATO
3/4" (19.1 mm)
Dice

7 SALMON
3/4" (19.1 mm)
Dice

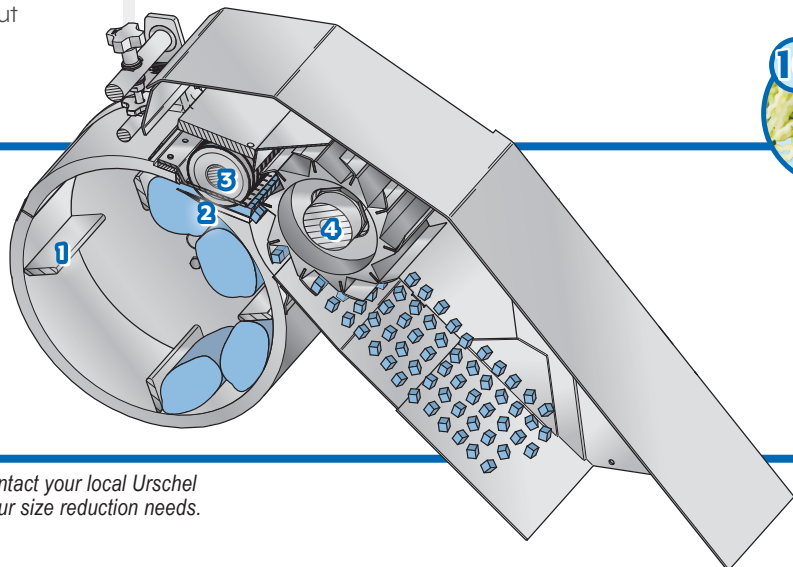
8 STRAWBERRY
1/4" (6.4 mm) Slice

9 TOMATO
1/4" (6.4 mm)
Dice

10 ZUCCHINI
Crinkle vegetable
noodle

CUTTING OVERVIEW

1. Impeller Paddles
2. Slicing Knife
3. Circular Knives
4. Crosscut Knives



If your product application is not mentioned on this page, contact your local Urschel representative to determine the most effective solution to your size reduction needs.

SPRINT 2[®] DICER

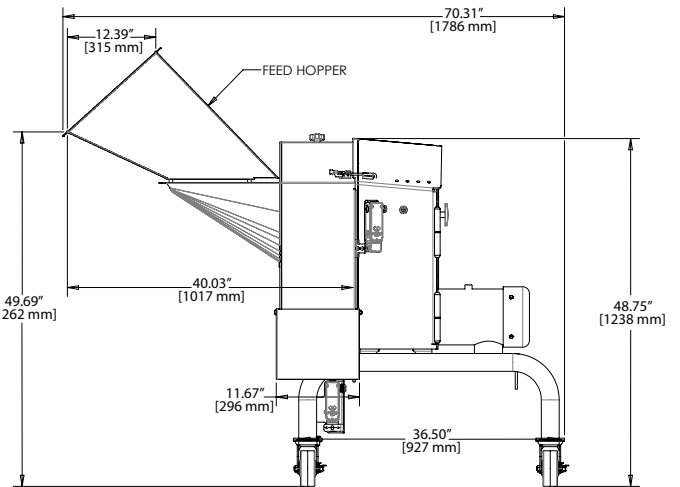
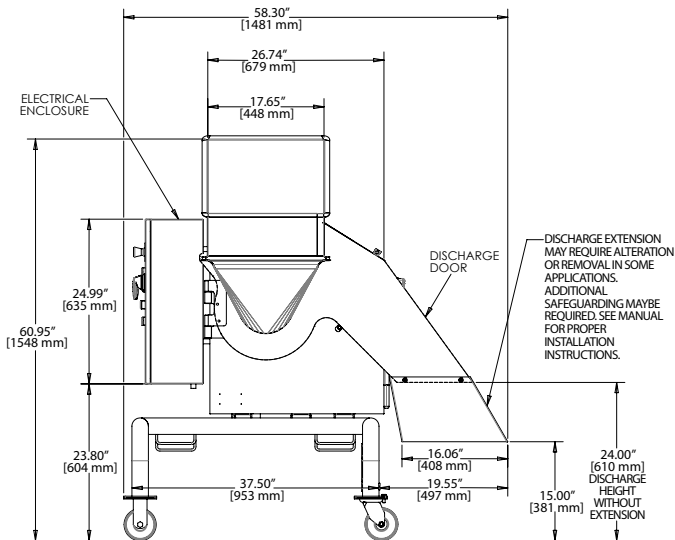
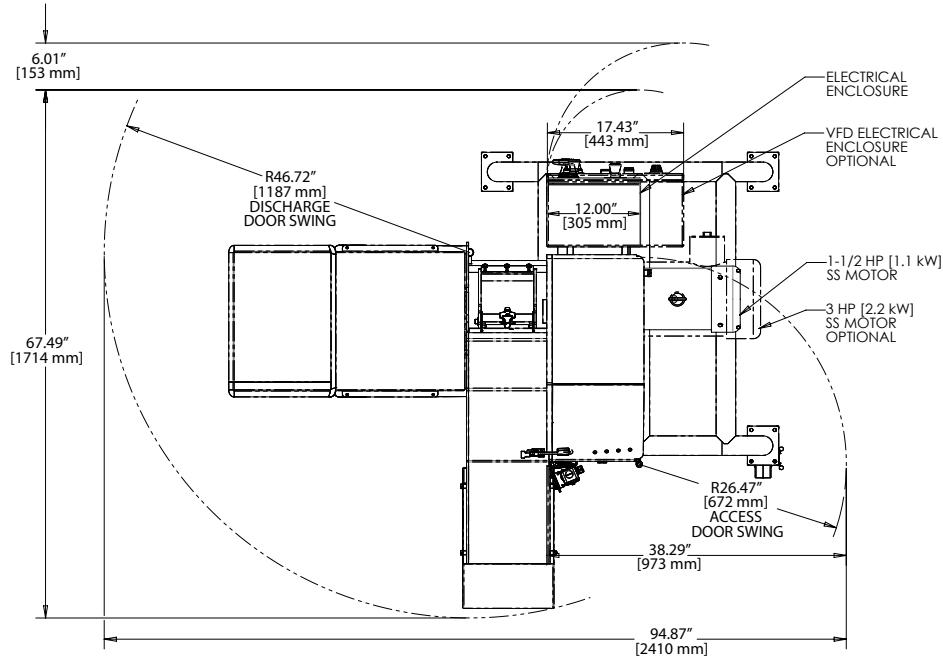
Measurements and weights may vary depending on machine configuration.

Length:..... 70.31" (1786 mm)
Width:..... 58.30" (1481 mm)
Height:..... 60.95" (1548 mm)
Net Weight: 1000 lb (454 kg)

Motors:..... 3 HP (2.2 kW) with VFD
 3 HP (2.2 kW) with soft start, or 1.5 HP (1.1 kW) with soft start



SPECIFICATIONS & DIMENSIONS



TEST CUT YOUR PRODUCT

Contact your local Urschel representative to schedule a comprehensive, no-obligation test-cut of your product: www.urschel.com.



URSCHEL[®]

The Global Leader in Food Cutting Technology

www.urschel.com | ✉ info@urschel.com