

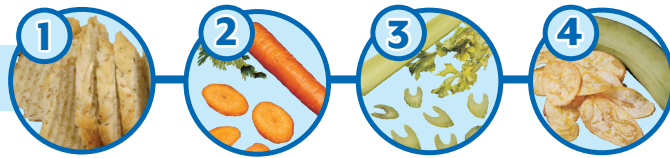
# MODEL OC

## CROSSCUT BIAS SLICER

The Model OC specializes in crosscut bias slicing of elongated products including bread, carrots, celery, okra, and plantain. The machine offers a variety of slice options, continuous operation for uninterrupted production, and simplified design for easy cleanup and maintenance.



## TYPES OF CUTS



### BIAS FLAT SLICES & BIAS CRINKLE SLICES

Wide range from 1/16 – 1-3/4"  
(1.6 – 44.5 mm)

### BIAS FLAT SLICES WHEN SPECIALLY EQUIPPED WITH A MICROSlice® WHEEL

.030 – .120" (.8 – 3 mm). Consult factory.  
Requires certified print.

### 45-DEGREE ANGLE CUTTING

Model OC-45 is also available to slice at a 45-degree angle.

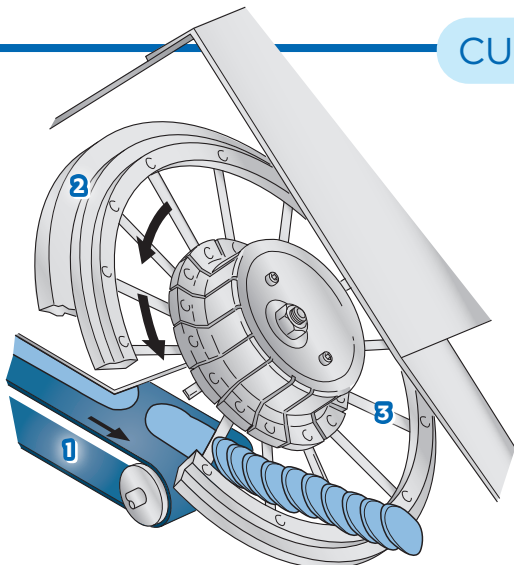
**1 BREAD**  
1/4" (6.4 mm)  
Bias Crinkle Slice

**2 CARROT**  
1/8" (3.2 mm)  
Bias Flat Slice

**3 CELERY**  
1/8" (3.2 mm)  
Bias Flat Slice

**4 PLANTAIN**  
.060" (1.5 mm) Bias Flat Slice using MicroSlice® Wheel Special Application; Consult Factory

## CUTTING OVERVIEW



1. Conveyor Belt
2. Slicing Wheel
3. Knives

**Model OC specially equipped with a MicroSlice Wheel.**



If your product application is not mentioned on this page, contact your local Urschel representative to determine the most effective solution to your size reduction needs.

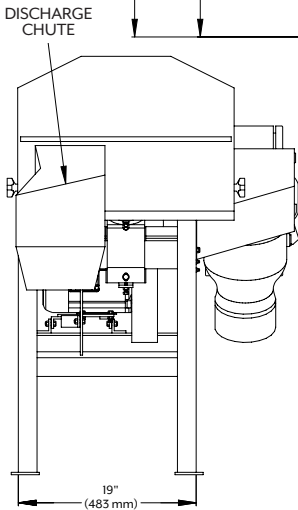
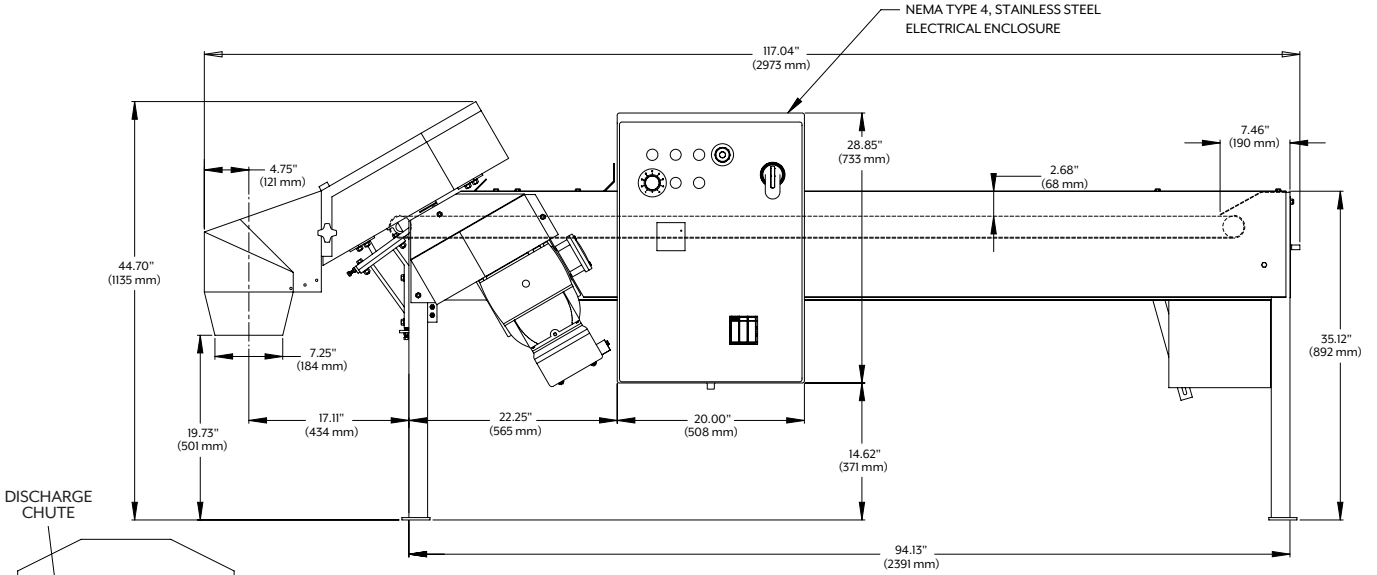
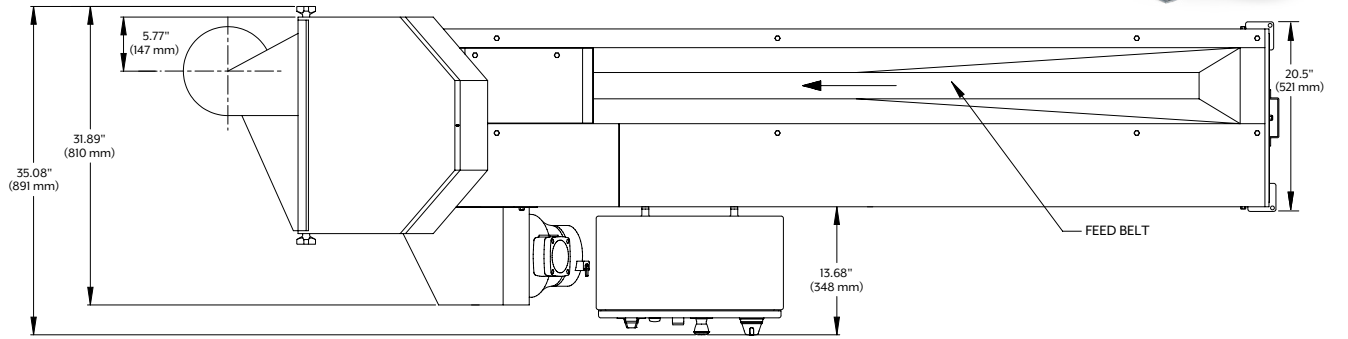
# MODEL OC



Measurements and weights may vary depending on machine configuration.

<b>Length:</b> .....	117.04" (2973 mm)	<b>Net Weight:</b> .....	770 lb (349 kg)
<b>Width:</b> .....	35.08" (891 mm)	<b>Motor:</b> .....	3 HP (2.2 kW)
<b>Height:</b> .....	44.70" (1135 mm)	<b>Feed Belt Motor:</b> .....	3/4 HP (.56 kW)

SPECIFICATIONS & DIMENSIONS



## TEST CUT YOUR PRODUCT

Contact your local Urschel representative to schedule a comprehensive, no-obligation test-cut of your product: [www.urschel.com](http://www.urschel.com).



**URSCHEL®**  
The Global Leader in Food Cutting Technology

[www.urschel.com](http://www.urschel.com) | ✉ [info@urschel.com](mailto:info@urschel.com)