

# AFFINITY® CD-L DICER

## DICER, GRANULATOR, & STRIP CUTTER

The new Affinity® CD-L Dicer produces uniform dices in the small to intermediate size range. The CD-L combines the utility of Urschel Models CD-A and L-A, plus working design elements from the Affinity Integra® Dicer. Processors replacing Model L-A's with the CD-L achieved more than twice the capacity.

Sanitary in design, the food zone is completely separated from the mechanical zone. Hinged access panels ease maintenance and washdowns, and offer full access to conveniently changeover parts. Feed spindle, feed drum, and 5 HP (3.7 kW) motor work effectively with the cutting components in the successful processing of dried fruits and other products. Optional integrated oil spray system lubricates circular knives to assist in the processing of sticky products. Equipped with stainless steel product contact parts, the dicer offers simple operation at the push of a button and may be operated at high or low speed depending on processing goals. The dicer features continuous operation and is designed for easy cleanup and maintenance. Maximum infeed product should not exceed 1/2" (12.7 mm) depending on the compressibility of the product.

**NEW!**



### TYPES OF CUTS

#### DICES/STRIPS/GRANULATIONS

2-dimensional cutting is achieved by using the appropriate circular and crosscut spindle set-up.

**Circular Knife Cuts:**

1/8 to 2" (3.2 to 50.8 mm)

**Crosscut Knife Cuts:**

1/8 to 1-1/2" (3.2 to 38.1 mm)



**1 ALMOND**  
1/8" (3.2 mm)  
Granulation

**2 CHOCOLATE COVERED TOFFEE BAR**  
3/16" (4.8 mm)  
Granulation

**3 CREAM FILLED WAFER COOKIE**  
1/4" (6.4 mm)  
Granulation

**4 PECAN**  
3/16" (4.8 mm)  
Granulation

**5 BACON JERKY**  
1/4" (6.4 mm)  
Dice

**6 FRUIT LEATHER**  
3/8" (9.5 mm)  
Dice

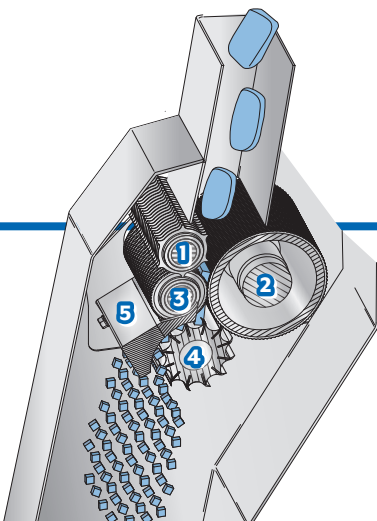
**7 CHOCOLATE**  
1/8" (3.2 mm)  
Granulation

**8 DRIED APRICOT**  
3/8" (9.5 mm)  
Dice

**9 DRIED DATE**  
3/8" (9.5 mm)  
Dice

**10 SUGAR INFUSED CRANBERRY**  
5/32" (4 mm)  
Strip

### CUTTING OVERVIEW



1. Feed Spindle
2. Feed Drum
3. Circular Knives
4. Crosscut Knives
5. Stripper Plate

If your product application is not mentioned on this page, contact your local Urschel representative to determine the most effective solution to your size reduction needs.

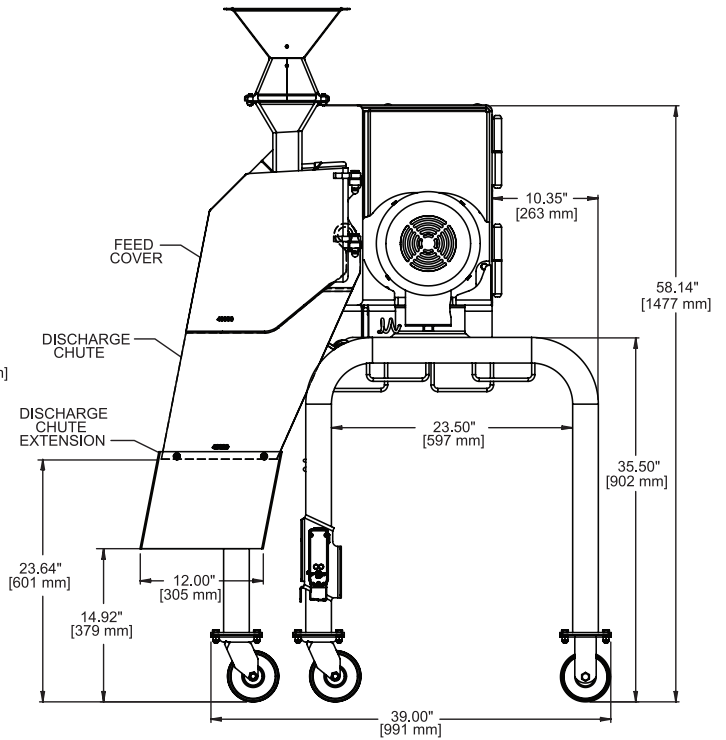
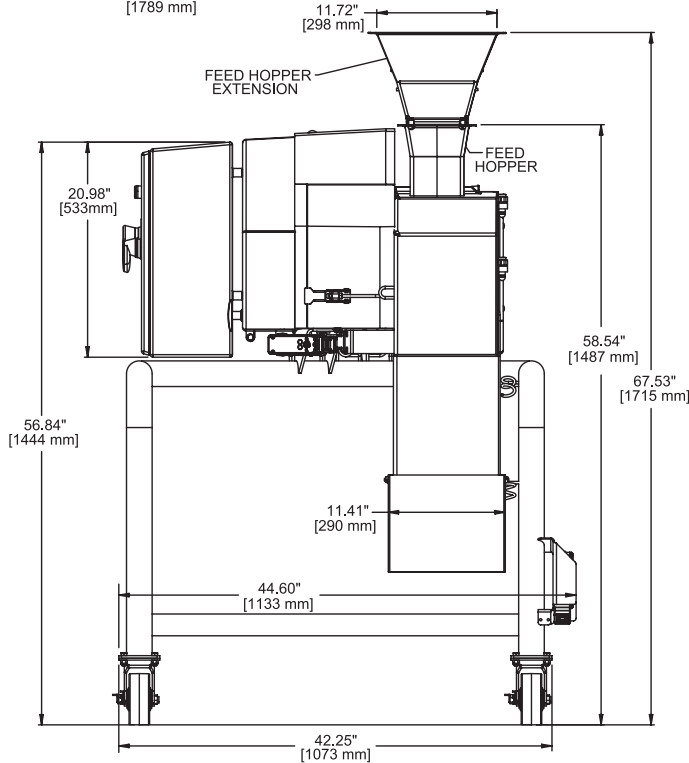
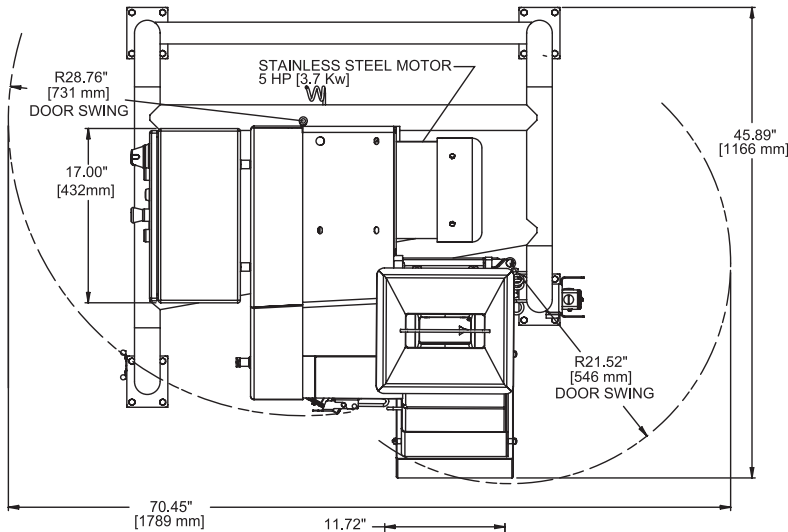
# AFFINITY® CD-L DICER

Measurements and weights may vary depending on machine configuration.

<b>Length:</b> .....	42.25" (1073 mm)	<b>Net Weight:</b> .....	1100 lb (499 kg)
<b>Width:</b> .....	45.89" (1166 mm)	<b>Motor:</b> .....	5 HP (3.7 kW)
<b>Height:</b> .....	67.53" (1715 mm)		



SPECIFICATIONS & DIMENSIONS



## TEST CUT YOUR PRODUCT

Contact your local Urschel representative to schedule a comprehensive, no-obligation test-cut of your product: [www.urschel.com](http://www.urschel.com).



**URSCHEL®**  
The Global Leader in Food Cutting Technology

[www.urschel.com](http://www.urschel.com) | ✉ [info@urschel.com](mailto:info@urschel.com)