

# COMITROL® PROCESSOR MODEL 1700

## VERSATILE SIZE REDUCTION

The Comitrol® Processor Model 1700 offers the most versatility in the Comitrol line. It utilizes 6" (152.4 mm) diameter reduction heads, available in the three different styles listed below. Several different feed assemblies and discharge options are also available. Product input is dependent on the style of reduction head, impeller selection, and spacing within the head. Generally, maximum input size in any dimension should not exceed:

**Cutting Head:** 2-1/2" (63.5 mm)    **Microcut Head & Slicing Head:** 3/8" (9.5 mm)

Sealed enclosure deters escape of dust, vapor, and liquid when the Comitrol Processor is installed in conjunction with a collection system. Stainless steel construction ensures maximum durability and sanitation. The machine features continuous operation for uninterrupted production, and is designed for easy cleanup and maintenance.

### HMI Option Now Available

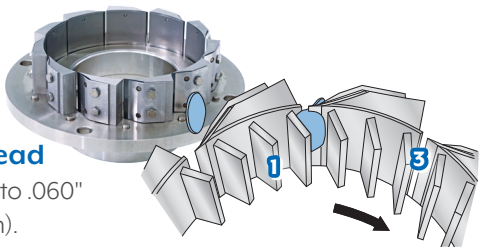
HMI benefits include: identifies misaligned sensors, soft start faults and fixes, total machine runtime, motor loads and overfeeding issues, and remote start/stop when connected to a control center.



## TYPES OF CUTS & CUTTING OVERVIEW

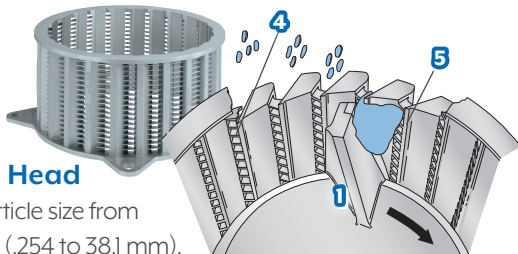
### Slicing Head

**Slices:** .020 to .060" (.5 to 1.5 mm).



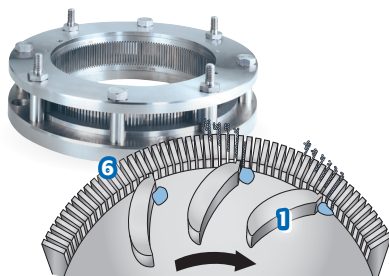
### Cutting Head

Offers particle size from .010 to 1.5" (.254 to 38.1 mm).

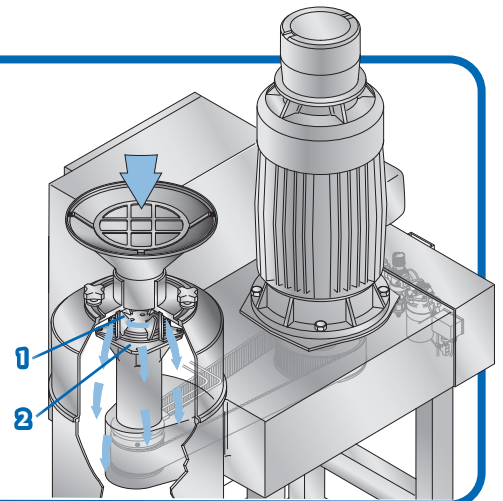


### Microcut Head

Offers the smallest in particle size from .0012 to .0237" (.03 to .6 mm).



1. Impeller
2. Reduction Head
3. Slicing Knife
4. Horizontal Separators
5. Vertical Knives
6. Blades



- |                          |                                |                     |
|--------------------------|--------------------------------|---------------------|
| <b>1</b> GINGER          | <b>4</b> ALMOND BUTTER         | <b>7</b> HUMMUS     |
| <b>2</b> RASPBERRY PUREE | <b>5</b> SEAWEED               | <b>8</b> HEMP CAKE  |
| <b>3</b> COCONUT MILK    | <b>6</b> CHICKEN SKIN EMULSION | <b>9</b> BEEF JERKY |
|                          |                                | <b>10</b> KALE      |



< Model 1700 featuring optional HMI.

If your product application is not mentioned on this page, contact your local Urschel representative to determine the most effective solution to your size reduction needs.

# COMITROL® PROCESSOR MODEL 1700

Measurements and weights may vary depending on machine configuration.

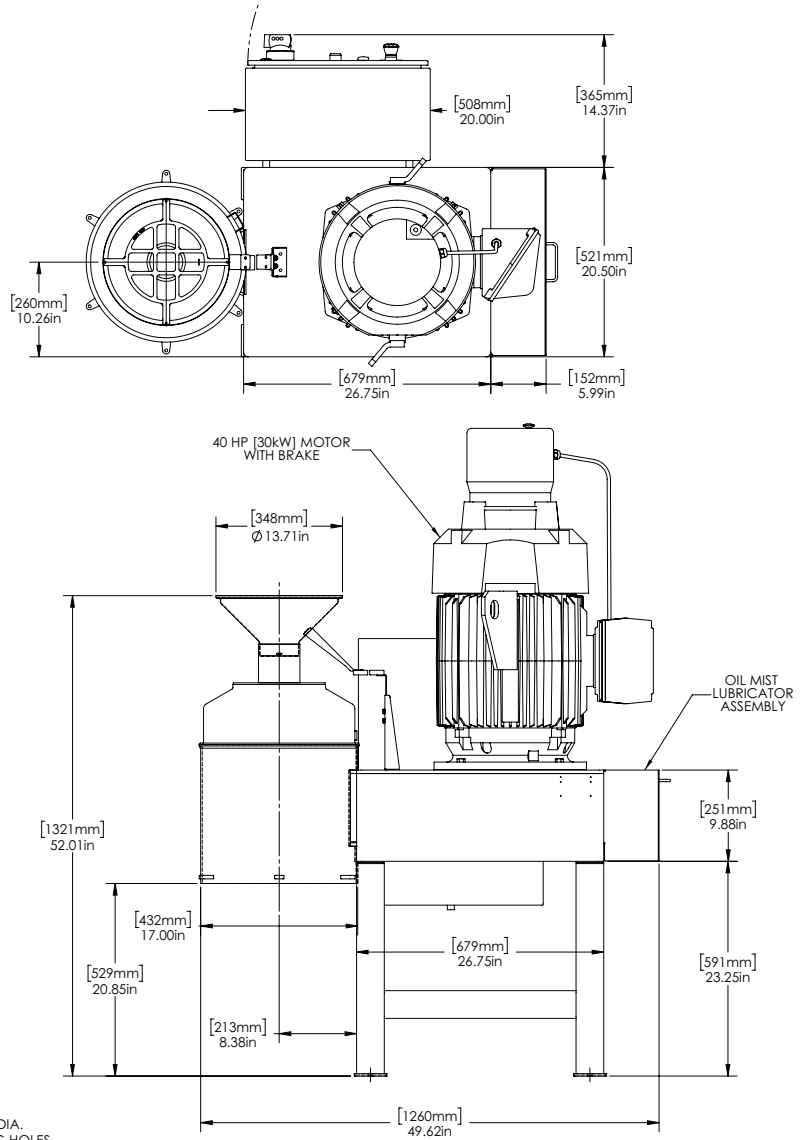
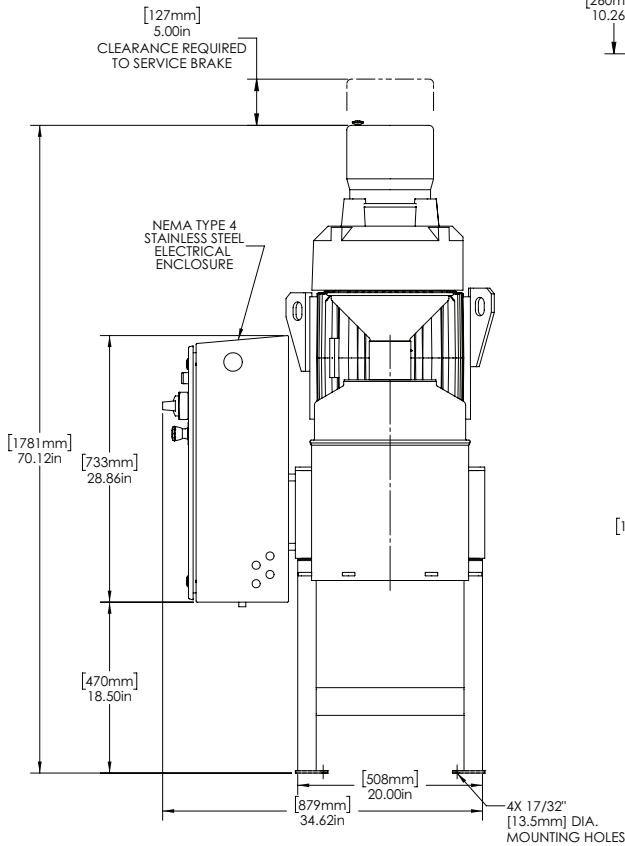
<b>Length:</b> .....	49.62" (1260 mm)	<b>Net Weight:</b> .....	1100 lb (499 kg)
<b>Width:</b> .....	34.62" (879 mm)	<b>Motor:</b> .....	15, 30, or 40 HP (11.2, 22.4, or 30 kW)
<b>Height:</b> .....	*70.12" (1781 mm)		

\*Usual height with 40 HP motor. This height will vary depending on horsepower and motor manufacturer.



SPECIFICATIONS & DIMENSIONS

NOTE: Products that are explosive or create a potentially explosive atmosphere should not be processed by any standard Urschel machine. A potentially explosive atmosphere could be created if processing your product creates fumes or dust in sufficient concentrations. In such cases, customers may work with Urschel to develop a customized solution through a certified print (CP) process.



PUT URSCHEL TO THE TEST Schedule a comprehensive, no-obligation test cut of your product.

**COMITROL®**  
BY URSCHEL THE SIZE REDUCTION SPECIALISTS



**URSCHEL®**  
The Global Leader in Food Cutting Technology

www.urschel.com | ✉ info@urschel.com