

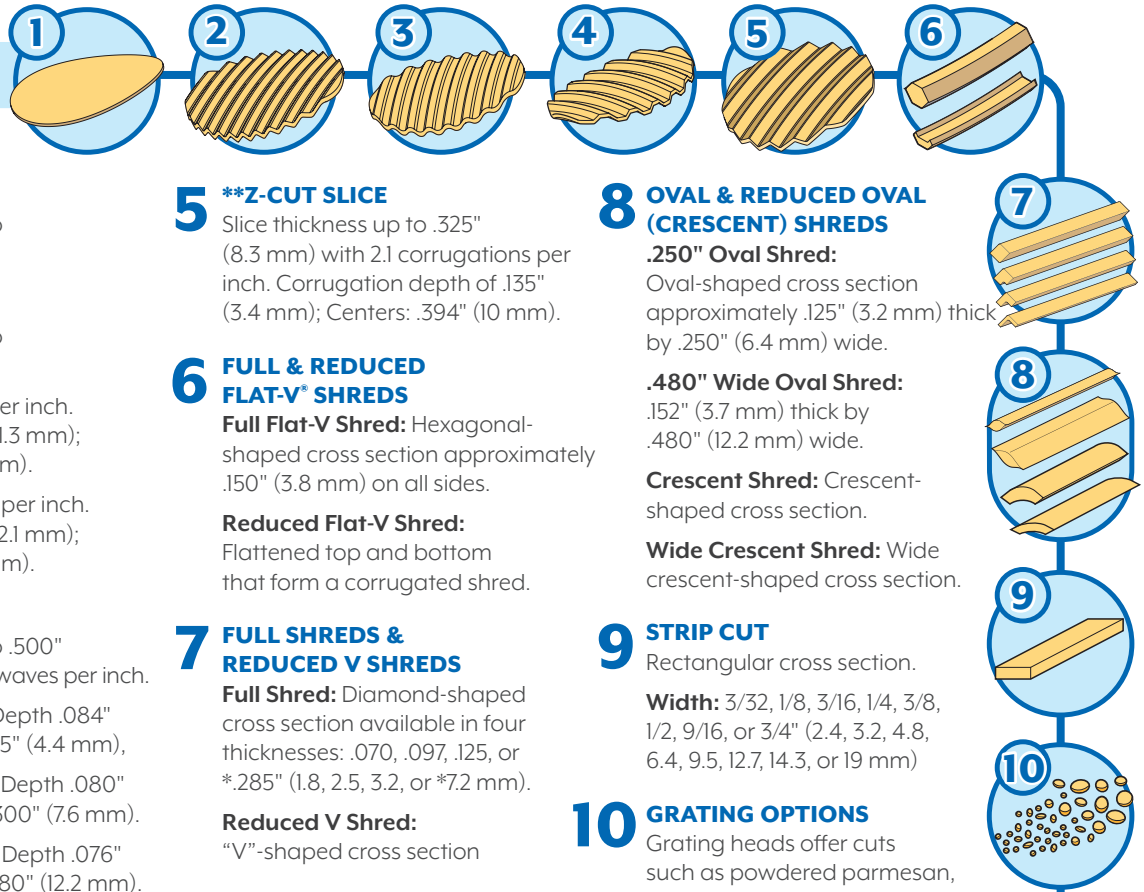
# URSCHEL® MODEL CC

## VERSATILE SLICER, SHREDDER, & GRANULATOR

Food processors rely on the Urschel #Model CC (MCC) to produce precise, uniform slices and shreds at high production capabilities with excellent results including potato slices, shredded cheese, and many other reductions including nuts, vegetables, and pet food. New frame design delivers increased sanitation and flexibility. The Model CC features continuous operation for uninterrupted production and is designed for easy cleanup and maintenance. The Model CC will accept products measuring up to 4" (101.6 mm) in any dimension. MicroAdjustable® Slicing (SL-14) and Shredding Heads (SH-14) increase capacity with 14 cutting stations. MicroAdjustable heads feature the latest technology to deliver the fastest changeovers with tool-free to limited tools required. Contact Urschel to learn more about SlideLocc™ and Quick Clamp features.



### CUTS



**1 FLAT SLICE**  
Slice thickness up to .500" (12.7 mm)

**2 V SLICE**  
Slice thickness up to .500" (12.7 mm)

**.125" Slice:** 8 "V"s per inch. "V" depth of .050" (1.3 mm); Centers: .125" (3.2 mm).

**.212" Slice:** 4.7 "V"s per inch. "V" depth of .084" (2.1 mm); Centers: .212" (5.4 mm).

**3 CRINKLE SLICE**  
Slice thickness up to .500" (12.7 mm) with 3-1/2 waves per inch.

**.175" Slice:** Crinkle Depth .084" (2.1 mm), Centers .175" (4.4 mm),

**.300" Slice:** Crinkle Depth .080" (2.0 mm), Centers .300" (7.6 mm).

**.480" Slice:** Crinkle Depth .076" (1.9 mm), Centers .480" (12.2 mm).

**4 FLAT-V® SLICE**  
Slice thickness up to .180" (4.6 mm) with 2.1 corrugations per inch. Corrugation depth of .125" (3.2 mm); Centers: .473" (12 mm).

**5 \*\*Z-CUT SLICE**  
Slice thickness up to .325" (8.3 mm) with 2.1 corrugations per inch. Corrugation depth of .135" (3.4 mm); Centers: .394" (10 mm).

**6 FULL & REDUCED FLAT-V® SHREDS**  
**Full Flat-V Shred:** Hexagonal-shaped cross section approximately .150" (3.8 mm) on all sides.

**Reduced Flat-V Shred:** Flattened top and bottom that form a corrugated shred.

**7 FULL SHREDS & REDUCED V SHREDS**  
**Full Shred:** Diamond-shaped cross section available in four thicknesses: .070, .097, .125, or \*.285" (1.8, 2.5, 3.2, or \*7.2 mm).

**Reduced V Shred:** "V"-shaped cross section

**8 OVAL & REDUCED OVAL (CRESCENT) SHREDS**  
**.250" Oval Shred:** Oval-shaped cross section approximately .125" (3.2 mm) thick by .250" (6.4 mm) wide.

**.480" Wide Oval Shred:** .152" (3.7 mm) thick by .480" (12.2 mm) wide.

**Crescent Shred:** Crescent-shaped cross section.

**Wide Crescent Shred:** Wide crescent-shaped cross section.

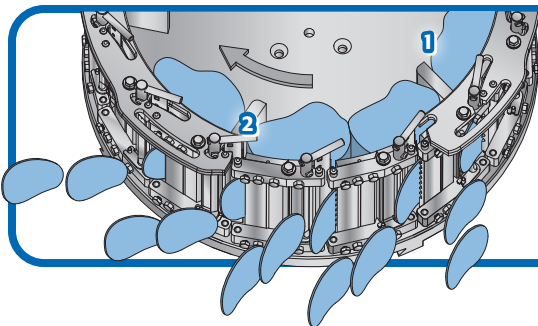
**9 STRIP CUT**  
Rectangular cross section.  
**Width:** 3/32, 1/8, 3/16, 1/4, 3/8, 1/2, 9/16, or 3/4" (2.4, 3.2, 4.8, 6.4, 9.5, 12.7, 14.3, or 19 mm)

**10 GRATING OPTIONS**  
Grating heads offer cuts such as powdered parmesan, coarse granules, and shreds.

\*Limited availability based on customer application. Contact your local Urschel office to verify salability.

\*\*The Z-Cut is only available in non-European countries.

### CUTTING OVERVIEW



1. Impeller Paddle
2. Slicing Knife

If your product application is not mentioned on this page, contact your local Urschel representative to determine the most effective solution to your size reduction needs.

# URSCHEL® MODEL CC

Measurements and weights may vary depending on machine configuration.

**Length:**.....48.03" (1220 mm) - 2 or 5 HP  
 .....51.74" (1314 mm) - 10 HP

**Net Weight:** 550 lb (250 kg) - 2 or 5 HP  
 680 lb (310 kg) - 10 HP

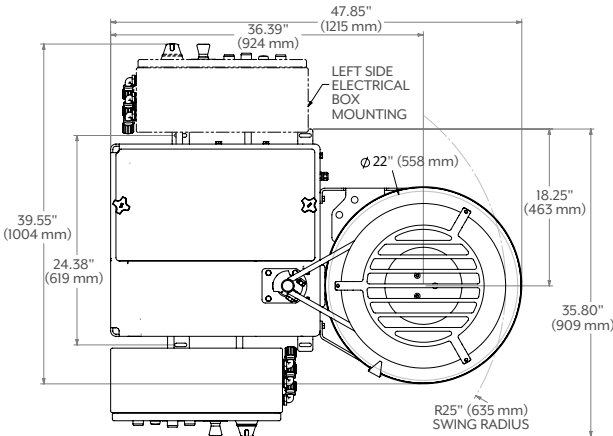
**Width:**.....35.26" (896 mm)

**Motor:**.....2, 5, or 10 HP  
 (1.5, 3.7, or 7.5 kW)

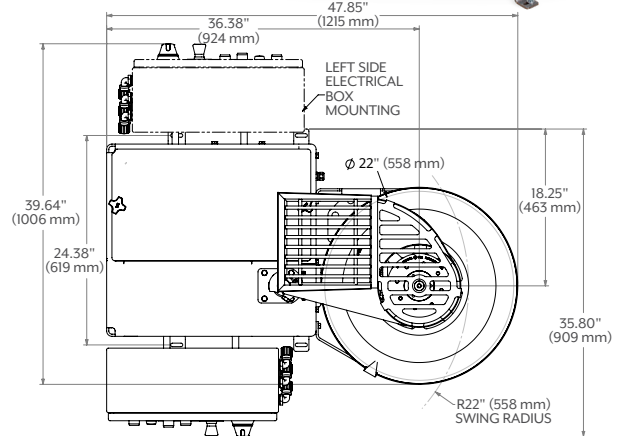
**Height:** ....31.47" (799 mm) - 2 or 5 HP  
 .....30.28" (769 mm) - 10 HP



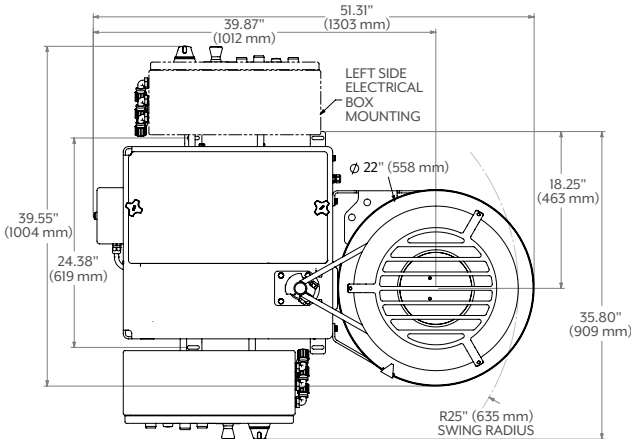
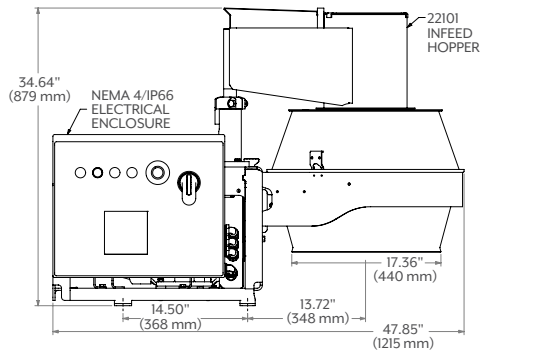
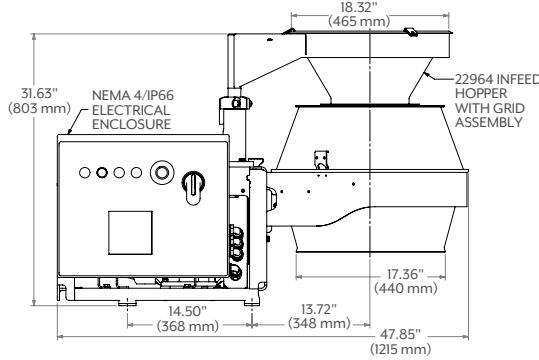
SPECIFICATIONS & DIMENSIONS



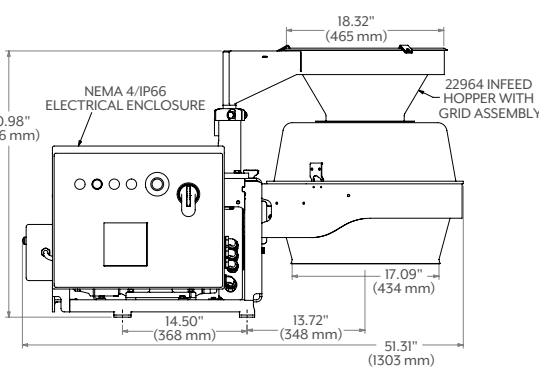
**2 HP/5 HP with Swing Away Funnel Hopper**



**2 HP/5 HP with Swing Away Hopper**



**10 HP with Swing Away Funnel Hopper**



## TEST CUT YOUR PRODUCT

Contact your local Urschel representative to schedule a comprehensive, no-obligation test-cut of your product: [www.urschel.com](http://www.urschel.com).



**URSCHEL®**  
 The Global Leader in Food Cutting Technology

[www.urschel.com](http://www.urschel.com) | [info@urschel.com](mailto:info@urschel.com)

® Urschel logo symbol, Urschel, The Global Leader in Food Cutting Technology, MicroAdjustable, and Flat-V are registered trademarks of Urschel Laboratories, Inc. | L3921 SEP 2022 (s.s. L3318)  
 ‡ The Model CC series may contain parts protected by U.S. Patent nos. 6968765, 7270040, 7314353, 7658133, 8161856, 9193086, 9469041, D701366, D701670, D701671, D701672, D702417, D704919, D706017, D711068, D717516, D716522, D716523, D723244, and European and foreign patents.